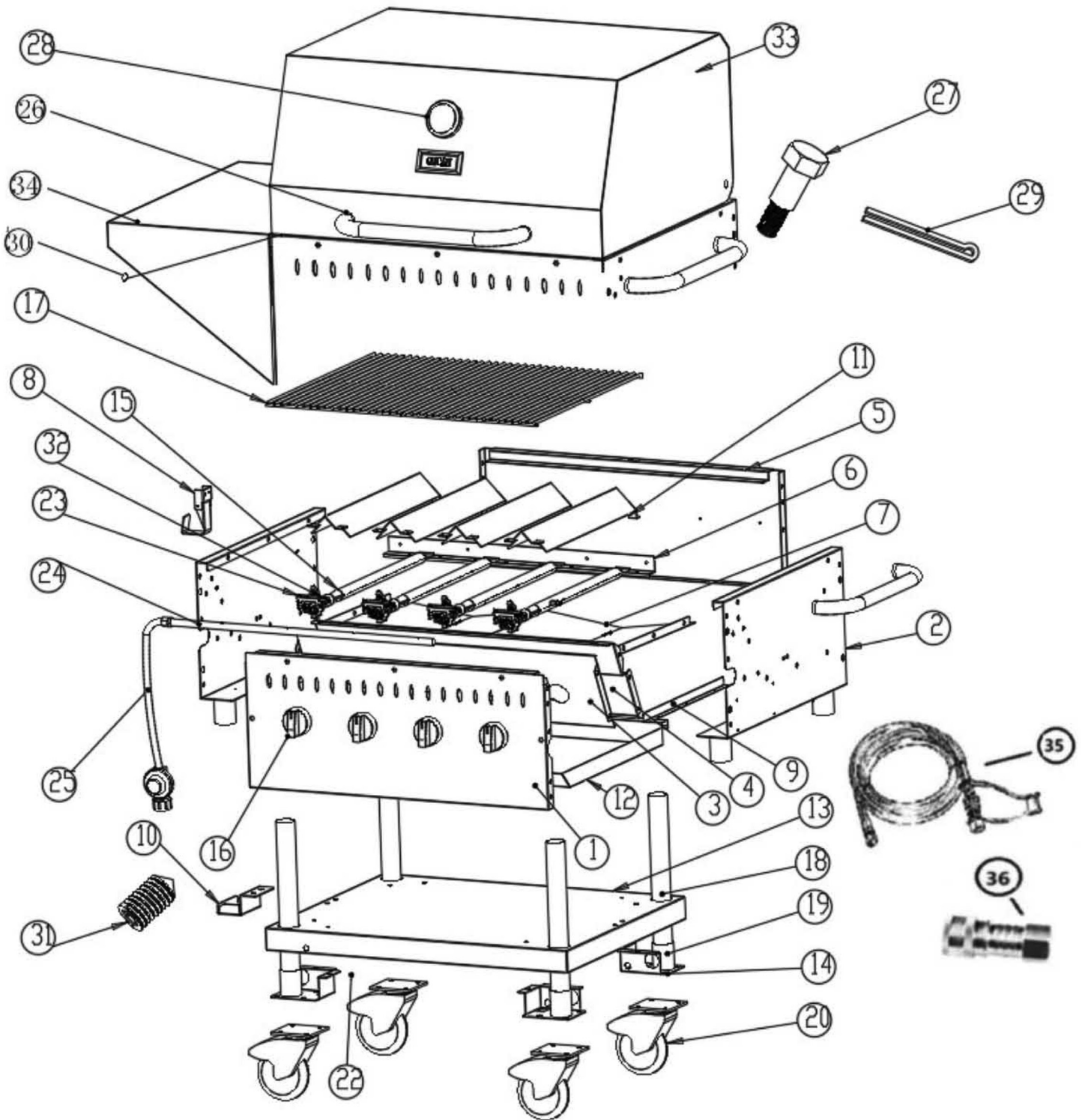


Parts Breakdown

Model CE-CN-0030-S LP 47352



Parts Breakdown

Model CE-CN-0030-S LP 47352

Item No.	Description	Position	Item No.	Description	Position	Item No.	Description	Position
AI592	Front Panel 30" for 47352	1	AI603	Tray 30" for 47352	12	AI614	Gas Pipe Right Inlet 30" for 47352	24
AI593	Left & Right Side Plate for 47352	2	AI604	Shelf 30" for 47352	13	AI615	Connector Hose and LP Regulator for 47352	25
AI594	Front Interior Plate 30" for 47352	3	AI605	Caster Bracket for 47352	14	AI616	Handle for 47352	26
AI595	Front Fender Plate 30" for 47352	4	AI606	Burner for 47352	15	AI617	Step Bolt for 47352	27
AI596	Back Plate 30" for 47352	5	AI607	Knob for 47352	16	AI618	Thermometer for 47352	28
AI597	Burner Support Bracket 30" for 47352	6	AI608	Rack 13 3/8" for 47352	17	AI619	Cotter Pin for 47352	29
AI598	Bottom Interior Plate 30" for 47352	7	AI609	Tube for 47352	18	AI620	Rubber Pad for 47352	30
AI599	Cylinder Hanger for 47352	8	AI610	Sleeve for 47352	19	AI621	Lock Screw for 47352	31
AI600	Side Bracket for 47352	9	AI611	4" Caster for 47352	20	AI622	Orifice #56 for LP for 47352	32
AI601	Cylinder Support Bracket for 47352	10	AI612	Gas Valve for 47352	23	AI623	Roll Dome 30" for 47352	33
AI602	Radiator Plate for 47352	11	AI613	Gas Pipe Left Inlet 30" for 47352	24	AI624	Side Shelf for 47352	34